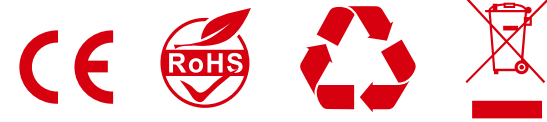
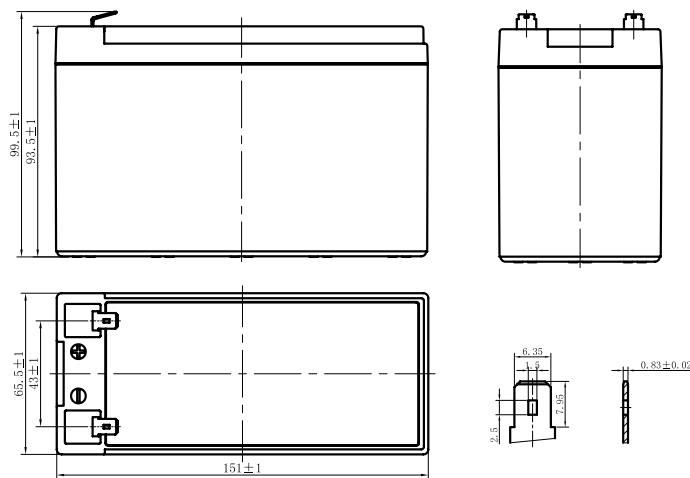


Li-ion Battery

# 12.8V9Ah



**Dimension:**



Unit: mm

**SAFETY**

- + Cylindrical LiFePO4 cells (21700-3Ah), High consistency, long cycle life and much more safety.
- + UN38.3, CE certification for system.
- + The cycle life over 2000 times @80%DOD

**DESIGN**

- + ABS container, replace VRLA battery perfectly.
- + Fast charge performance.
- + -20~+55° C widely temperature range.
- + Maintenance free.

**BATTERY MANAGEMENT SYSTEM (BMS)**

- + Integrated hardware BMS inside.
- + Independent protection for charge and discharge.
- + Over voltage, low voltage, over temperature and short circuit protection.

Li-ion Battery

# 12.8V9Ah

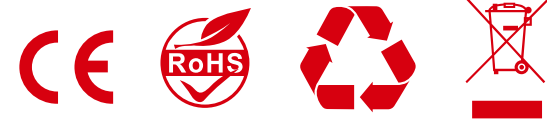
Nominal Voltage [V]	12.8
Nominal Capacity [Ah]	9
Total Energy [Wh]	115.2
Max. Charging Current [A]	9
Recommended Charging Current [A]	4.5
Charging Voltage [V]	14.6
Max. Discharging Current [A]	9
End of Discharge Voltage [V]	11.2
Pulse Discharge Current	12A @ 10s
Dimension [W*D*H, mm]	151*65*93.5
Weight [Kg]	1.10
Operation Humidity	0~95% RH (No condensing)
Operating Temperature Range	Charge: 0 ~ +50 °C; Discharge: -20 ~ +55 °C
BMS Protection	Over charge Over discharge, Over temperature, Short circuit
Parallel Support	Yes, Max 2 Sets
Series Support	Yes, Max 4 Sets
Cycle Life	>2000
Designed Calendar Life	>10 Years
Certification	UN38.3, CE, MSDS

Note:  
1. 80% DOD and to 80% of initial capacity.

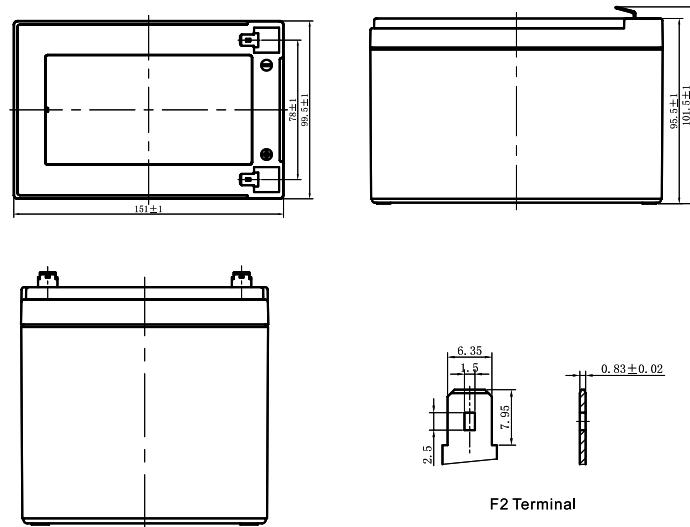
The datasheet is subject to change without prior notification

Li-ion Battery

# 12.8V12Ah



**Dimension:**



Unit: mm

**SAFETY**

- + Cylindrical LiFePO4 cells (32700-6Ah), High consistency, long cycle life and much more safety.
- + UN38.3, CE certification for system.
- + The cycle life over 2000 times @80%DOD

**DESIGN**

- + ABS container, replace VRLA battery perfectly.
- + Fast charge performance.
- + -20~+55° C widely temperature range.
- + Maintenance free.

**BATTERY MANAGEMENT SYSTEM (BMS)**

- + Integrated hardware BMS inside.
- + Independent protection for charge and discharge.
- + Over voltage, low voltage, over temperature and short circuit protection.

Li-ion Battery

# 12.8V12Ah

Nominal Voltage [V]	12.8
Nominal Capacity [Ah]	12
Total Energy [Wh]	153.6
Max. Charging Current [A]	12
Recommended Charging Current [A]	6
Charging Voltage [V]	14.6
Max. Discharging Current [A]	12
End of Discharge Voltage [V]	11.2
Pulse Discharge Current	30A @ 10s
Dimension [W*D*H, mm]	151*98*95
Weight [Kg]	1.50
Operation Humidity	0~95% RH (No condensing)
Operating Temperature Range	Charge: 0 ~ +50 °C; Discharge: -20 ~ +55 °C
BMS Protection	Over charge Over discharge, Over temperature, Short circuit
Parallel Support	Yes, Max 2 Sets
Series Support	Yes, Max 4 Sets
Cycle Life	>2000
Designed Calendar Life	>10 Years
Certification	UN38.3, CE, MSDS

Note:  
1. 80% DOD and to 80% of initial capacity.

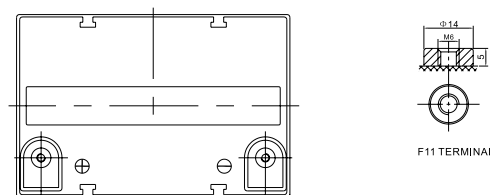
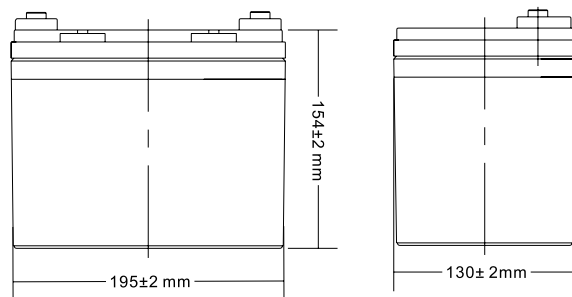
The datasheet is subject to change without prior notification

Li-ion Battery

# 12.8V35Ah



**Dimension:**



Unit: mm

**SAFETY**

- + Prismatic LiFePO4 cells (38Ah), High consistency, long cycle life and much more safety.
- + UN38.3, CE certification for system.
- + The cycle life over 3000 times @80%DOD

**DESIGN**

- + ABS container, replace VRLA battery perfectly.
- + Fast charge performance.
- + -20~+55° C widely temperature range.
- + Maintenance free.

**BATTERY MANAGEMENT SYSTEM (BMS)**

- + Integrated hardware BMS inside.
- + Independent protection for charge and discharge.
- + Over voltage, low voltage, over temperature and short circuit protection.

Li-ion Battery

# 12.8V35Ah

Nominal Voltage [V]	12.8
Nominal Capacity [Ah]	35
Total Energy [Wh]	448
Max. Charging Current [A]	35
Recommended Charging Current [A]	17.5
Charging Voltage [V]	14.6
Max. Discharging Current [A]	35
End of Discharge Voltage [V]	11.2
Pulse Discharge Current	50A @ 10s
Dimension [W*D*H, mm]	195*130*155
Weight [Kg]	4.83
Operation Humidity	0~95% RH (No condensing)
Operating Temperature Range	Charge: 0 ~ +50 °C; Discharge: -20 ~ +55 °C
BMS Protection	Over charge Over discharge, Over temperature, Short circuit
Parallel Support	Yes, Max 2 Sets
Series Support	Yes, Max 4 Sets
Cycle Life	>3000
Designed Calendar Life	>10 Years
Certification	UN38.3, CE, MSDS

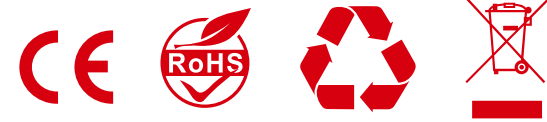
Note:  
1. 80% DOD and to 80% of initial capacity.

The datasheet is subject to change without prior notification

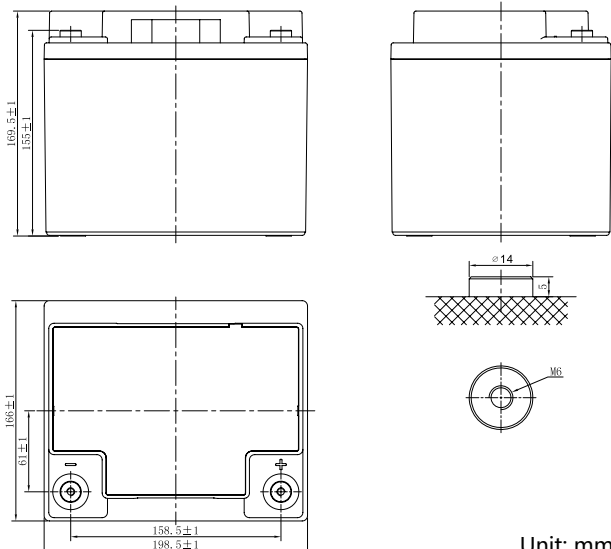
For more information, contact with: [sales@ritarpower.com](mailto:sales@ritarpower.com)

## Li-ion Battery

# 12.8V50Ah



### Dimension:



Unit: mm

### SAFETY

- + Prismatic LiFePO4 cells (50Ah), High consistency, long cycle life and much more safety.
- + UN38.3, CE certification for system.
- + The cycle life over 3000 times @80%DOD

### DESIGN

- + ABS container, replace VRLA battery perfectly.
- + Fast charge performance.
- + -20~+55° C widely temperature range.
- + Maintenance free.

### BATTERY MANAGEMENT SYSTEM (BMS)

- + Integrated hardware BMS inside.
- + Independent protection for charge and discharge.
- + Over voltage, low voltage, over temperature and short circuit protection.

## Li-ion Battery

# 12.8V50Ah

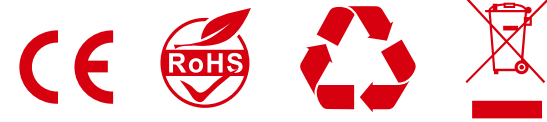
Nominal Voltage [V]	12.8
Nominal Capacity [Ah]	50
Total Energy [Wh]	640
Max. Charging Current [A]	50
Recommended Charging Current [A]	25
Charging Voltage [V]	14.6
Max. Discharging Current [A]	50
End of Discharge Voltage [V]	11.2
Pulse Discharge Current	100A @ 10s
Dimension [W*D*H, mm]	198*166*169
Weight [Kg]	6.50
Operation Humidity	0~95% RH (No condensing)
Operating Temperature Range	Charge: 0 ~ +50 °C; Discharge: -20 ~ +55 °C
BMS Protection	Over charge Over discharge, Over temperature, Short circuit
Parallel Support	Yes, Max 2 Sets
Series Support	Yes, Max 4 Sets
Cycle Life	>3000
Designed Calendar Life	>10 Years
Certification	UN38.3, CE, MSDS

Note:  
1. 80% DOD and to 80% of initial capacity.

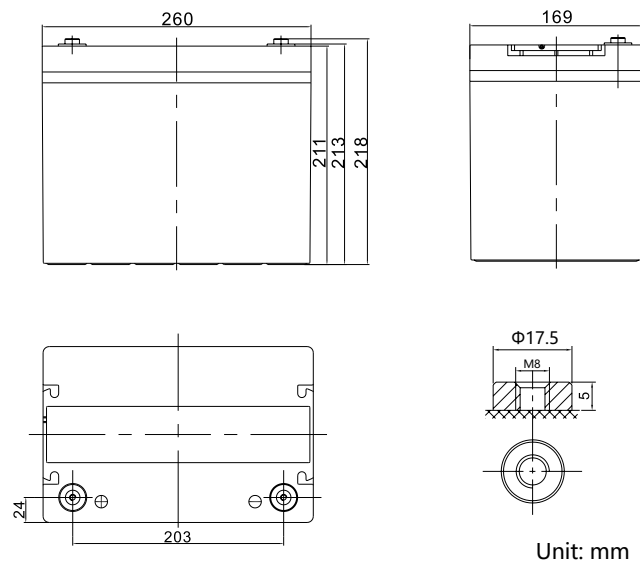
The datasheet is subject to change without prior notification



# 12.8V75Ah



**Dimension:**



Unit: mm

**SAFETY**

- + Prismatic LiFePO4 cells (38Ah), High consistency, long cycle life and much more safety.
- + UN38.3, CE certification for system.
- + The cycle life over 3000 times @80%DOD

**DESIGN**

- + ABS container, replace VRLA battery perfectly.
- + Fast charge performance.
- + -20~+55° C widely temperature range.
- + Maintenance free.

**BATTERY MANAGEMENT SYSTEM (BMS)**

- + Integrated hardware BMS inside.
- + Independent protection for charge and discharge.
- + Over voltage, low voltage, over temperature and short circuit protection.

# 12.8V75Ah

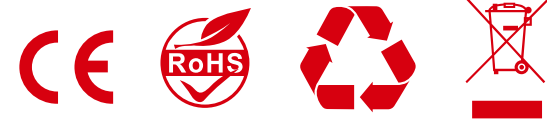
Nominal Voltage [V]	12.8
Nominal Capacity [Ah]	75
Total Energy [Wh]	960
Max. Charging Current [A]	75
Recommended Charging Current [A]	37.5
Charging Voltage [V]	14.6
Max. Discharging Current [A]	75
End of Discharge Voltage [V]	11.2
Pulse Discharge Current	150A @ 10s
Dimension [W*D*H, mm]	260*168*211
Weight [Kg]	10.0
Operation Humidity	0~95% RH (No condensing)
Operating Temperature Range	Charge: 0 ~ +50 °C; Discharge: -20 ~ +55 °C
BMS Protection	Over charge Over discharge, Over temperature, Short circuit
Parallel Support	Yes, Max 2 Sets
Series Support	Yes, Max 4 Sets
Cycle Life	>3000
Designed Calendar Life	>10 Years
Certification	UN38.3, CE, MSDS

Note:  
1. 80% DOD and to 80% of initial capacity.

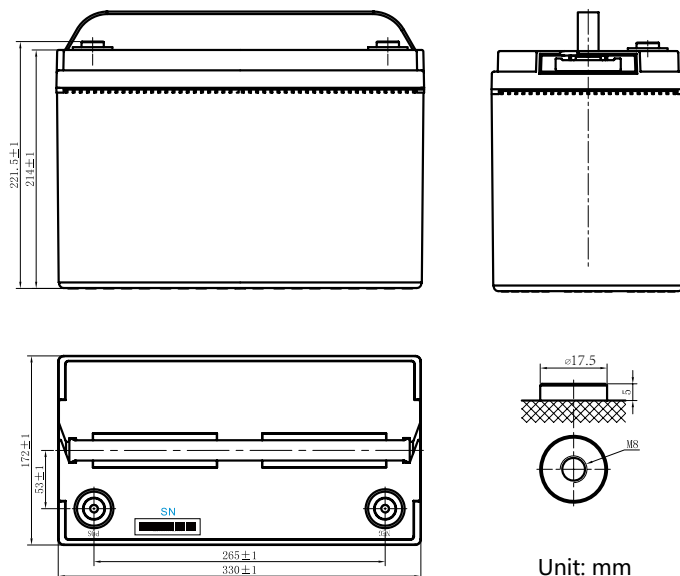
The datasheet is subject to change without prior notification

## Li-ion Battery

# 12.8V 100Ah



### Dimension:



Unit: mm

### SAFETY

- + Prismatic LiFePO4 cells (50Ah), High consistency, long cycle life and much more safety.
- + UN38.3, CE certification for system.
- + The cycle life over 3000 times @80%DOD

### DESIGN

- + ABS container, replace VRLA battery perfectly.
- + Fast charge performance.
- + -20~+55° C widely temperature range.
- + Maintenance free.

### BATTERY MANAGEMENT SYSTEM (BMS)

- + Integrated hardware BMS inside.
- + Independent protection for charge and discharge.
- + Over voltage, low voltage, over temperature and short circuit protection.

## Li-ion Battery

# 12.8V100Ah

Nominal Voltage [V]	12.8
Nominal Capacity [Ah]	100
Total Energy [Wh]	1280
Max. Charging Current [A]	100
Recommended Charging Current [A]	50
Charging Voltage [V]	14.6
Max. Discharging Current [A]	100
End of Discharge Voltage [V]	11.2
Pulse Discharge Current	270A @ 10s
Dimension [W*D*H, mm]	330*172*214
Weight [Kg]	13.4
Operation Humidity	0~95% RH (No condensing)
Operating Temperature Range	Charge: 0 ~ +50 °C; Discharge: -20 ~ +55 °C
BMS Protection	Over charge Over discharge, Over temperature, Short circuit
Parallel Support	Yes, Max 2 Sets
Series Support	Yes, Max 4 Sets
Cycle Life	>3000
Designed Calendar Life	>10 Years
Certification	UN38.3, CE, MSDS

### Note:

1. 80% DOD and to 80% of initial capacity.

The datasheet is subject to change without prior notification

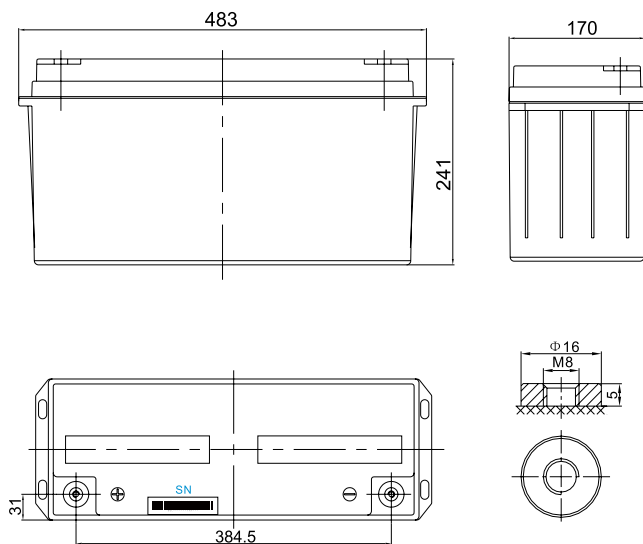
For more information, contact with: [sales@ritarpower.com](mailto:sales@ritarpower.com)

Li-ion Battery

# 12.8V150Ah



**Dimension:**



Unit: mm

**SAFETY**

- + Prismatic LiFePO4 cells (50Ah), High consistency, long cycle life and much more safety.
- + UN38.3, CE certification for system.
- + The cycle life over 3500 times @80%DOD

**DESIGN**

- + ABS container, replace VRLA battery perfectly.
- + Fast charge performance.
- + -20~+55° C widely temperature range.
- + Maintenance free.

**BATTERY MANAGEMENT SYSTEM (BMS)**

- + Integrated hardware BMS inside.
- + Independent protection for charge and discharge.
- + Over voltage, low voltage, over temperature and short circuit protection.

Li-ion Battery

# 12.8V150Ah

Nominal Voltage [V]	12.8
Nominal Capacity [Ah]	150
Total Energy [Wh]	1920
Max. Charging Current [A]	100
Recommended Charging Current [A]	75
Charging Voltage [V]	14.6
Max. Discharging Current [A]	100
End of Discharge Voltage [V]	11.2
Pulse Discharge Current	270A @ 10s
Dimension [W*D*H, mm]	483*170*241
Weight [Kg]	20.00
Operation Humidity	0~95% RH (No condensing)
Operating Temperature Range	Charge: 0 ~ +50 °C; Discharge: -20 ~ +55 °C
BMS Protection	Over charge Over discharge, Over temperature, Short circuit
Parallel Support	Yes, Max 2 Sets
Series Support	Yes, Max 4 Sets
Cycle Life	>3500
Designed Calendar Life	>10 Years
Certification	UN38.3, CE, MSDS

Note:  
1. 80% DOD and to 80% of initial capacity.

The datasheet is subject to change without prior notification